

Electro-Voice®
a **Gulton** company

Model 309 Suspension Shock Mount



SPECIFICATIONS

Material:

Aluminum and Cycolac

Finish:

Non-reflecting gray

Dimensions:

158.8 mm (6.25 in.) wide

155.6 mm (6.13 in.) deep

231.8 mm (9.13 in.) high

Weight:

312 grams (11 oz)

Suspension:

Four molded neoprene cords
(E-V Part No. 78297)

Rotation:

360 degrees swivel

Accessories Provided:

5/8" -27 stand adapter

DESCRIPTION AND APPLICATIONS

The Electro-Voice 309 suspension shock mount was designed specifically for use with the RE20 dynamic microphone. It provides near-perfect shock isolation for the already internally shock-mounted RE20. For most applications, the Model 309 may be attached directly to the recording boom or to a floor stand.

A stand adapter with 5/8" -27 thread is provided.

The 309 mount design allows quick installation of the RE20 microphone without tools. A double safety factor is provided to ensure that the microphone will remain attached to the shock mount under any condition. First, a "bayonet" locking action assures that the microphone will not fall out of the shock mount under its own weight. Additionally, a set screw (wing type) can be tightened to lock the microphone in place after it has been properly positioned.

Four molded neoprene shock cords suspend and support the microphone within an aluminum and steel framework to effectively isolate it from mechanical shock and vibration.

REPLACEMENT PARTS

Should the rubber suspensory ligaments (shock cords) wear out through excessive use, deteriorate due to atmospheric conditions, or in any way change, new ones may be ordered from Electro-Voice, Inc., Buchanan, Michigan 49107. Attention: Miscellaneous Parts Department. Request Part No. 78297. You will be billed for the cost.

Specifications subject to change without notice.

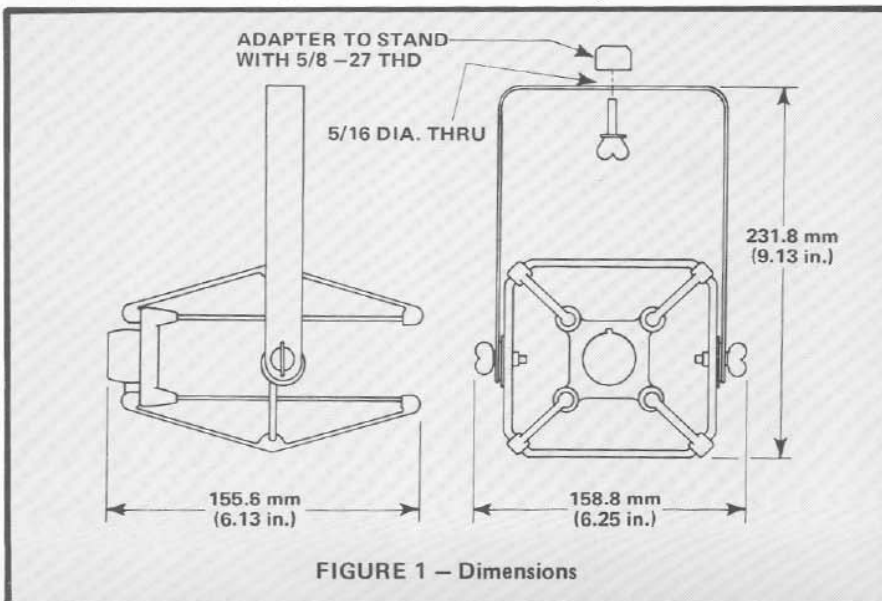


FIGURE 1 - Dimensions

a **Gulton** COMPANY **ELECTRO-VOICE, Inc., 600 CECIL ST., BUCHANAN, MICH. 49107**

MANUFACTURING PLANTS AT ■ BUCHANAN, MICH. ■ NEWPORT, TENN. ■ SEVIERVILLE, TENN. ■ GANANOQUE, ONT. ■ LITHO IN U.S.A.

Part Number 530243 - 248